

**Miniature Brass Body Regulator  
Water and Compressed Air Service  
1/8" and 1/4" PTF Port Sizes**

- Compact design, corrosion resistant construction
- Brass body with choice of plastic or brass bonnet
- Plastic bonnet equipped with low torque, non-rising pressure adjusting knob. Snap action knob locks pressure setting when pushed in
- Brass bonnet equipped with pressure adjusting screw
- Non-relieving models for air and water service
- Relieving models for air service allow reduction of outlet pressure even when the system is dead-ended
- Can be disassembled without the use of tools or removal from the air or water line



**Ordering Information.** Models listed include PTF threads, plastic bonnet with knob adjustment, non-relieving diaphragm, 5 to 100 psig (0.3 to 7 bar) outlet pressure adjustment range†, and without gauge.

Port	Model	Flow* scfm (dm <sup>3</sup> /s)	Flow** gpm (lpm)	Weight lb (kg)
1/8" PTF	R06-121-NNKA	12 (5.7)	1.3 (4.9)	0.2 (0.09)
1/4" PTF	R06-221-NNKA	12 (5.7)	1.3 (4.9)	0.2 (0.09)

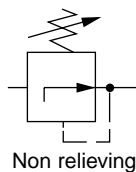
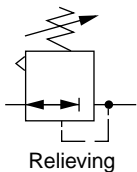
\* Approximate flow with 100 psig (7 bar) inlet pressure, 90 psig (6.3 bar) set pressure and a 15 psig (1 bar) droop from set.

\*\* Approximate flow with 100 psig (7 bar) inlet pressure, 60 psig (4 bar) set pressure and a 15 psig (1 bar) droop from set.

**Alternative Models**

R 0 6 - ★ ★ ★ - ★ ★ ★ ★			
Port Size	Substitute	Threads	Substitute
1/8"	1	PTF	A
1/4"	2	Outlet Pressure Adjustment Range†	Substitute
Bonnet	Substitute	1 to 10 psig (0.1 to 0.7 bar)	A
Plastic	21	5 to 50 psig (0.3 to 3.5 bar)	E
Brass	22	5 to 100 psig (0.3 to 7 bar)	K
Diaphragm	Substitute	5 to 125 psig (0.3 to 8.6 bar)	L
Relieving	R	Gauges	Substitute
Non relieving	N	With	G
		Without	N

† Outlet pressure can be adjusted to pressures in excess of, and less than, those specified. Do not use these units to control pressures outside of the specified ranges.

**ISO Symbols**


**See Section ALE-24 for Accessories**



**Technical Data**

Fluid: Water and compressed air  
 Maximum pressure: 400 psig (27 bar)  
 Operating temperature  
 Water service: 35° to 150°F (2° to 65°C)†  
 Air service: -30° to 150°F (-34° to 65°C) \*†

\* Air supply must be dry enough to avoid ice formation at temperatures below 35°F (2°C).

Typical flow for water service at 100 psig (7 bar) inlet pressure, 60 psig (4 bar) set pressure and a droop of 15 psig (1 bar) from set: 1.3 gpm (4.9 lpm)

Typical flow for compressed air service at 100 psig (7 bar) inlet pressure, 90 psig (6.3 bar) set pressure and a droop of 15 psig (1 bar) from set: 12 scfm (5.7 dm³/s)

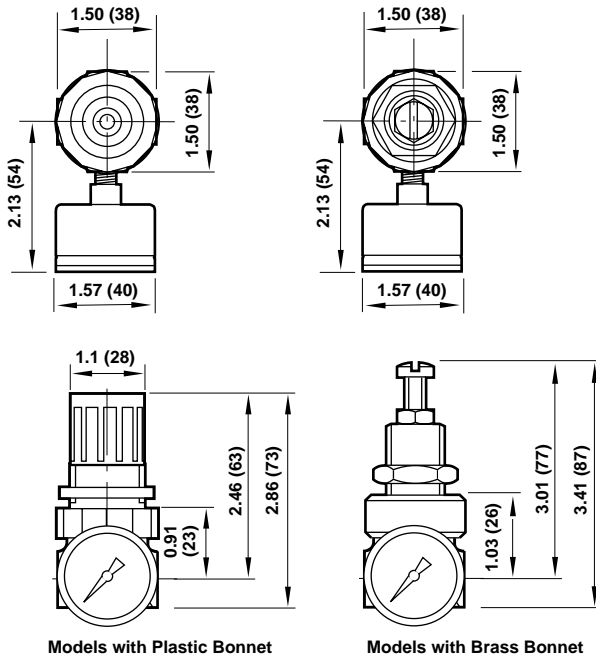
Gauge ports: 1/8" PTF

Materials

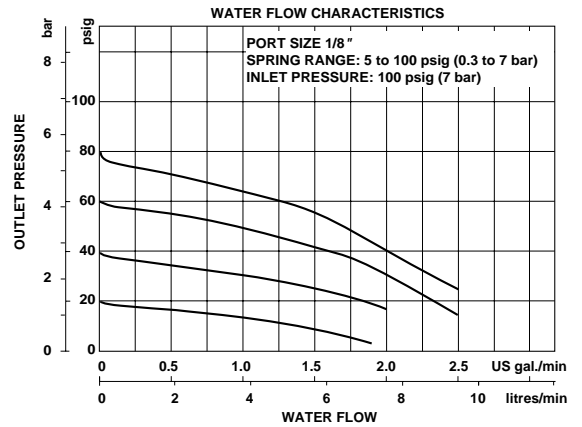
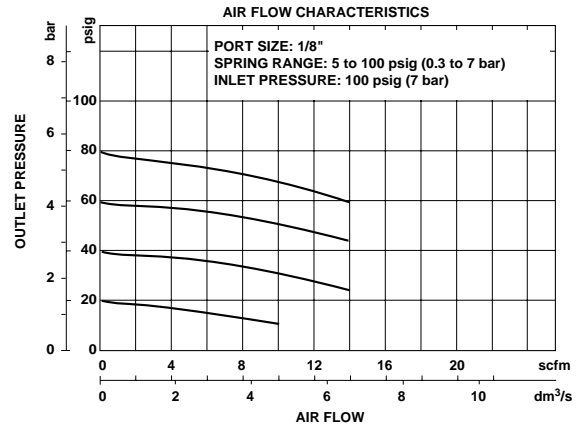
- Body: Brass
- Bonnet
  - Standard: Acetal resin
  - Optional: Brass
- Valve: Brass/nitrile
- Valve seat: Acetal resin
- Elastomers: Nitrile

All Dimensions in Inches (mm)

Panel mounting hole diameter:  
 Models with plastic bonnet: 1.19" (30 mm)  
 Models with brass bonnet: 0.81" (21mm)  
 Maximum panel thickness: 0.25" (6 mm)



**Typical Performance Characteristics**



**Service Kits**

Item	Type	Part number
Service kit	Relieving	3407-18
	Non relieving	3407-17

Service kit includes slip ring, diaphragm, standard valve seat with o-ring, valve, valve spring.

† Brass bonnet & body combination max temperature 200°F